



SKANMOBILE 
HF Mobile Radiography System



SKANMOBILE is a revolutionary light weight mobile unit powered with 4 kW, 100 mA, 250 mAs High Frequency Generator, giving high quality X-Ray images anywhere you want.

Advanced Technology Simplified

SKANMOBILE has an integrated Tube Head working on a DSP based dual processor computation mode for “on the fly” control. The 200 kHz switching combined with sub-micro second error correction rate ensures highly stable X-Rays. The Anatomical programmed Radiography (APR) feature with two point manual mode makes operation intuitive and simple.

Seamless Mobility

This ultra lightweight mobile X-Ray unit is perfectly balanced to move around and anywhere within the hospital; through a ramp or in the lift. The stability is ensured through a unique design and a well balanced Tube-Head. The ergonomically designed **SKANMOBILE** can be positioned to suit different bed heights. The vertical and horizontal swing of the tube head enables X-Ray of any anatomy with in limited space.

Clean and Green

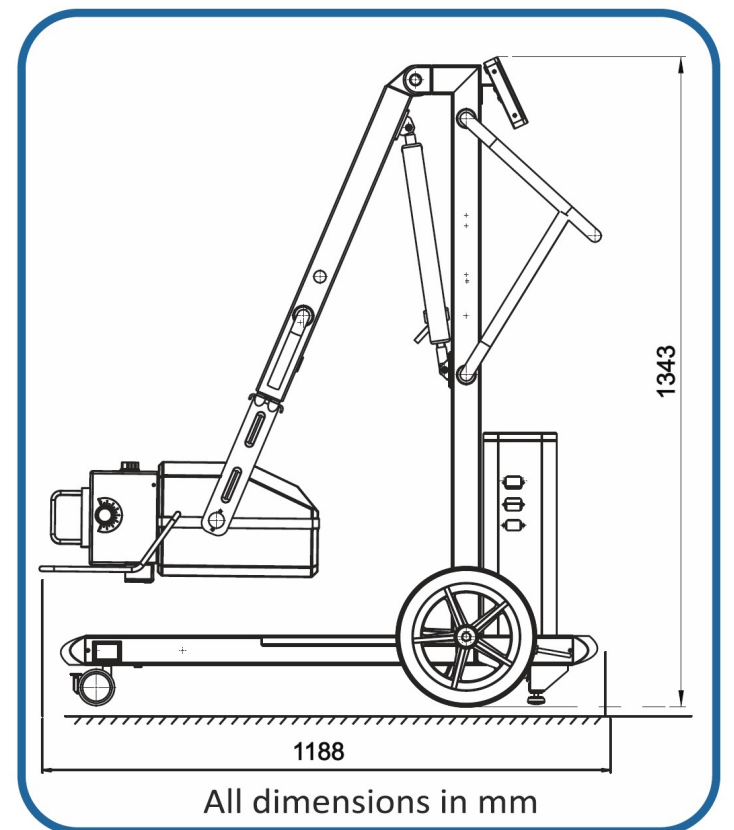
SKANMOBILE draws clean power from the mains. It consumes negligible power in stand-by mode and conserves energy during operational mode. The Green Mode Universal power source enables consistent image quality while operating from 110 V/230 V, 16 A, single phase AC power source (110 V model also available on special request).

Safety at Heart

The unique **SkanSHIELD**[®] methodology results in virtually negligible leakage radiation ensuring both patient and clinician are not exposed to unnecessary radiation. Skanray utilizes advanced **SkanSAFE**[®] technology to fulfill its commitment to comply with global safety standards. The precisely controlled collimator ensures accurate focusing of X-Ray beam on the required area closely matching with the light field. The vertical movement of the tube head powered by fail-safe actuation technology ensured that the horizontal arm is doubly protected against accidental overloading or mishandling.

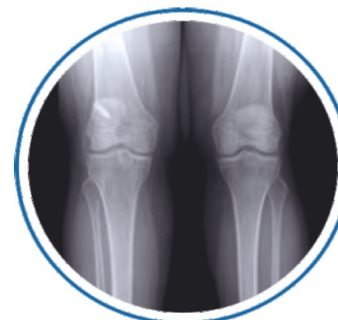
Unified Solution

SKANMOBILE is universal in its design and technology, and can be used for all general X-Ray applications and in Emergency units, ICU and Normal bedside applications. With an Adaptive Computation Algorithm, **SKANMOBILE** delivers 100mAs at 100kV and 250mAs at 40kV to meet the various Radiographic application.



Mobile X-Ray unit Technical Specs

Generator: DSP controlled, High Frequency, 4 kW
 Input voltage: 110/230V Single Phase AC, 50/60 Hz
 KV range: 40 kV to 100 kV in steps of 1 kV
 mA range: 10 mA to 100 mA
 mAs range: 0.1 mAs to 250 mAs
 Exposure time: 10 msec to 5 sec
 Indicators and controls: Set kV & Set mAs, Exposure ready & Fault
 X-Ray tube: Stationary anode type
 Focal spot: 1.8 IEC 60336
 Maximum X-Ray field: 480 mm x 480 mm at 1 m from focal spot
 Leakage radiation: <50 mR/H at 1 m from focal spot
 Trolley arm extension: 23° to 139° vertical
 Tube head vertical rotation: < 290°
 Tube head horizontal rotation: 360°
 Collimator rotation: -90° to +90°
 Total weight of the **SKANMOBILE**: Approx. 83kg Maximum



Skanray Technologies - Healthcare Division:
 #360, KIADB Industrial Area, Hebbal, Mysore - 570018.

Distributor :- Fujifilm India Pvt Ltd
 Block-1, 7th Floor, Vatika Business Park, Sohna Road, Gurgaon -122018

Since the products are continuously upgraded in technology, performance & safety features, the actual product supplied might vary from the product illustrated in the catalog. Contact us to get the latest updates and specifications.