

# High Frequency Portable X-ray Unit

# PORTA100 HF



## You've found it !



Compact and light weight X-Ray machine,  
that is absolutely dependable, high-performance and affordable.

### FEATURES

- **Compact & Light Weight**  
Size: 160mm(H) x 161mm(W) x 291mm(L) or 6.29in(H) x 6.33in(W) x 11.45in(L)  
Weight: 8.8kg or 19.4lbs
- kV and mAs selectors adopted a rotary switch system for easy and quick selection of kV and mAs.
- APR switch stores 8 examination parts and corresponding exposure data (kV/mAs) in order to avoid an annoyance from referring these data to the radiographic chart every time.
- Automatic mAs control technic keeps always a real kV selected on the panel in order to obtain an expected picture result even at the place where a certain drop of the line voltage occurs by the high impedance such as from the use of an extremely long extension cable.

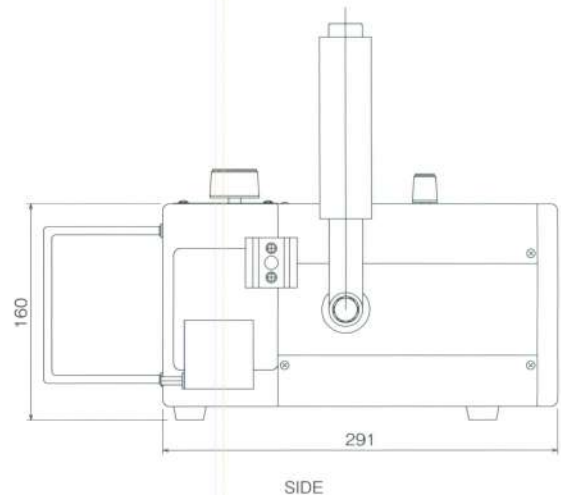
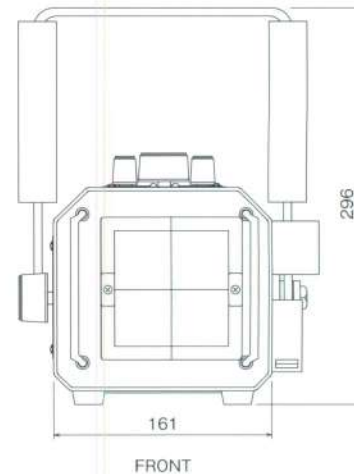
## for Human Use

### SPECIFICATIONS

<b>Rating</b>	30mA/40-66kV/0.3-20mAs 20mA/68-100kV/0.3-20mAs
<b>Generator</b>	Inverter control type, 2kW output
<b>kV setting</b>	40-100kV (2kV step). Rotary switch for digital display with 7 segment LED.
<b>mAs selection</b>	0.3-50mAs (32 settings) Rotary switch for digital display with 7 segment LED. 0.3, 0.4, 0.5, 0.6, 0.7, 0.8, 0.9, 1.0, 1.1, 1.2, 1.3, 1.4, 1.5, 1.6, 1.7, 1.8, 1.9, 2.0, 2.5, 3.2, 4.0, 5.0, 6.4, 8.0, 10, 12, 16, 20, 25, 32, 40, 50mAs
<b>X-ray tube</b>	a) Focal spot: 1.2 x 1.2mm b) Heat Unit: 20KHU c) Target angle: 16 degrees
<b>Total filtration</b>	2.5mm Al. eq. at 100kV
<b>Power requirement</b>	AC100-120V/15A or AC200-240V/10A
<b>Collimator</b>	Complete with 30 sec. timer and cross indication line.
<b>Line cable</b>	3 meters long.
<b>Hand switch</b>	Two stage, deadman type with curled cable. (3 meters long at full extension)
<b>Optimum ambient conditions</b>	Temperature : 20°C, +/-15°C Humidity : 69%, +/-20%

### DRAWING

UNIT:mm



SPECIFICATION & DESIGN ARE SUBJECT TO CHANGE WITHOUT NOTICE.

Made in Japan



### JOB CORPORATION

HEAD OFFICE  
1-19-8 SHINYOKOHAMA, KOHOKU-KU,  
YOKOHAMA, KANAGAWA 222-0033 JAPAN  
TEL +81-45-473-0113 FAX +81-45-473-0108  
URL: <http://www.job-image.com> E-mail: [info@job-image.com](mailto:info@job-image.com)